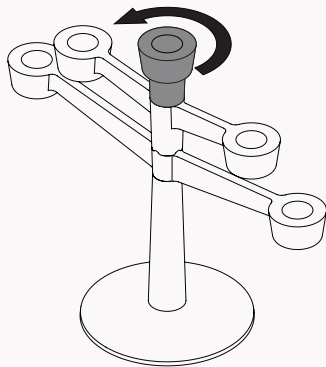


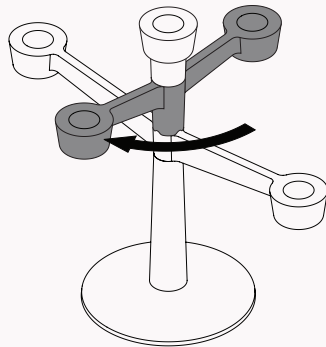
# DAVID MELLOR

5-light Candelabrum has pivoting arms which form alternative configurations.

1. Turn top anti-clockwise for three full turns to loosen



2. Pivot arm 90°



3. Turn top clockwise until tight again

